
VRV SYSTEM Inverter Air Conditioners

English

Français

Español

MODELS

Ceiling-mounted Duct type

FXMQ07PBVJU

FXMQ09PBVJU

FXMQ12PBVJU

FXMQ15PBVJU

FXMQ18PBVJU

FXMQ24PBVJU

FXMQ30PBVJU

FXMQ36PBVJU

FXMQ48PBVJU

FXMQ54PBVJU

Thank you for purchasing this Daikin air conditioner. Carefully read this operation manual before using the air conditioner. It will tell you how to use the unit properly and help you if any trouble occurs. This manual explains about the indoor unit only. Use it along with the operation manual for the outdoor unit. After reading the manual, file it away for future reference.

Nous vous remercions pour votre acquisition de ce système de climatisation Daikin.

Lisez attentivement ce manuel avant d'utiliser le climatiseur. Il vous expliquera comment vous servir correctement de l'appareil et vous guidera en cas de problème. Ce manuel ne décrit que l'unité intérieure. Utilisez-le avec le manuel de l'unité extérieure. Lorsque vous aurez lu le manuel, rangez-le afin de pouvoir vous y référer ultérieurement.

Le agradecemos la compra de este acondicionador de aire Daikin.

Lea cuidadosamente el manual de funcionamiento antes de utilizar el acondicionador de aire. Dicho manual le indicará cómo utilizar adecuadamente la máquina y le ayudará en caso de avería. Este manual describe sólo la unidad interior. Utilice conjuntamente con el manual de instrucciones de la unidad exterior. Después de leer el manual, consérvelo para consultas futuras.

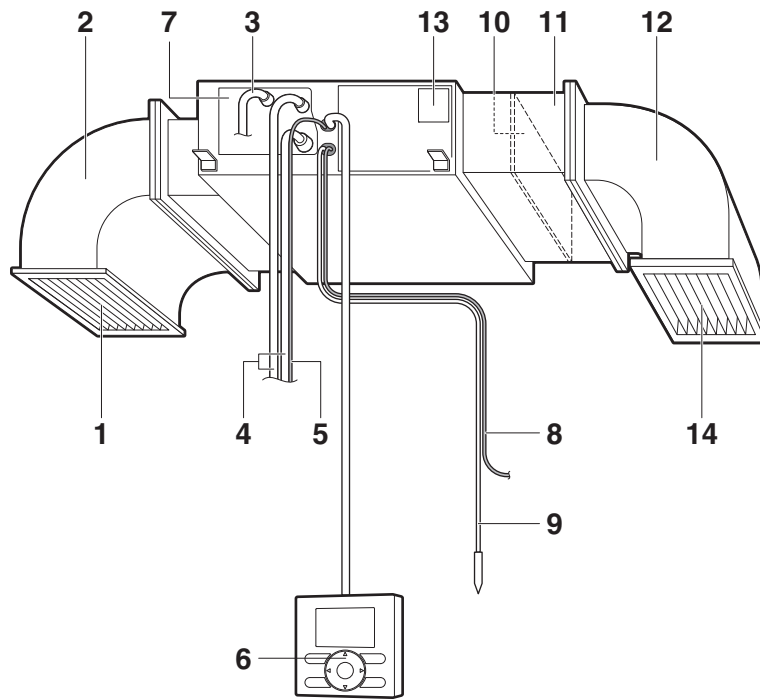




Fig. 1


SAFETY CONSIDERATIONS


Read these *Safety Considerations for Operations* carefully before installing air conditioner or heat pump. Make sure that the unit operates properly during the startup operation. Instruct the customer on how to operate and maintain the unit. Inform customers that they should store this Operation Manual with the Installation Manual for future reference.

Meanings of **DANGER**, **WARNING**, **CAUTION**, and **NOTE** Symbols:

 **DANGER** Indicates an imminently hazardous situation which, if not avoided, will result in death or serious injury.

 **WARNING** Indicates a potentially hazardous situation which, if not avoided, could result in death or serious injury.

 **CAUTION** Indicates a potentially hazardous situation which, if not avoided, may result in minor or moderate injury. It may also be used to alert against unsafe practices.

 **NOTE** Indicates situations that may result in equipment or property-damage accidents only.

DANGER

- Do not install the unit in an area where flammable materials are present due to risk of explosion resulting in serious injury or death.
 - Any abnormalities in the operation of the air conditioner or heat pump such as smoke or fire will result in severe injury or death. Turn off the power and contact your dealer immediately.
 - Refrigerant gas may produce toxic gas if it come into contact with fire, such as from a fan, heater, stove, or cooking device. Exposure to this gas will result in severe injury or death.
 - For refrigerant leakage, consult your dealer.
Refrigerant gas is heavier than air and replaces oxygen. A massive leak will result in oxygen depletion, especially in basements, and an asphyxiation hazard will result leading to serious injury or death.
 - If equipment utilizing a burner is used in the same room as the air conditioner or heat pump, there is the danger of oxygen deficiency which could lead to an asphyxiation hazard resulting in serious injury or death. Be sure to ventilate the room sufficiently to avoid this hazard.
 - Safely dispose of the packing materials. Packing materials, such as nails and other metal or wooden parts, will result in stabs or other injuries.
 - Tear apart and throw away plastic packaging bags so that children can not play with them.
Children playing with plastic bags face the danger of death by suffocation.
-

WARNING

- Contact your dealer for repair and maintenance. Improper repair and maintenance could result in water leakage, electric shock, and fire. Only use accessories made by Daikin that are specifically designed for use with the equipment and have them installed by a professional.
 - Contact your dealer to move and reinstall the air conditioner or heat pump. Incomplete installation could result in water leakage, electric shock, and fire.
 - Never let the indoor unit or the remote controller get wet. Water could result in an electric shock or a fire.
 - Never use flammable spray such as hair spray, lacquer, or paint near the unit. Flammable spray could result in a fire.
 - When a fuse blows out, never replace it with one of incorrect ampere ratings or different wires. Always replace any blown fuse with a fuse of the same specification.
 - Never remove the fan guard of the unit. A fan rotating at high speed without the fan guard is very dangerous and could result in injury.
 - Never inspect or service the unit by yourself. Contact a qualified service person to perform this work.
 - Turn off all electrical power before doing any maintenance to avoid the risk of serious electric shock; never sprinkle or spill water or liquids on the unit.
 - Do not touch the switch with wet fingers.
Touching a switch with wet fingers could result in electric shock.
 - Do not allow children to play on or around the unit to prevent injury.
 - The heat exchanger fins are sharp enough to cut. To avoid injury wear gloves or cover the fins while working around them.
 - Do not put a finger or other objects into the air inlet or air outlet. The fan is rotating at high speed and could result in injury.
 - Check the unit foundation for damage on a continuous basis, especially if it has been in use for a long time. If left in a damaged condition the unit may fall and could result in injury.
 - Placing a flower vase or other containers with water or other liquids on the unit could result in a shock or fire if a spill occurs.
 - Do not touch the air outlet or horizontal blades while the swing flap is in operation could result in fingers getting caught and injured.
 - Never touch the internal parts of the controller. Do not remove the front panel because some parts inside are dangerous to touch. To check and adjust internal parts, contact your dealer.
 - Be sure to ground the unit.
Do not ground the unit to a utility pipe, arrester, or telephone ground. Incomplete grounding may cause electrical shock, or fire. A high surge current from lightning or other sources may cause damage to the air conditioner or heat pump.
 - This equipment can be installed with a Ground-Fault Circuit Interrupter (GFCI). Although this is a recognized measure for additional protection, with the grounding system in North America, a dedicated GFCI is not necessary.
-



CAUTION

- Do not use the air conditioner or heat pump for any other purposes other than comfort cooling or heating. Do not use the unit for cooling precision instruments, food, plants, animals or works of art.
- Do not place items under the indoor unit it could result in damage by condensates that may form if the humidity is above 80% or if the drain outlet gets blocked.
- Before cleaning, stop the operation of the unit by turning the power off or by pulling the supply cord out from its receptacle. Otherwise, an electric shock and injury could result.
- Do not wash the air conditioner or heat pump with excessive water. An electric shock or fire could result.
- Avoid placing the controller in a spot splashed with water. Water entering the controller could result in an electric shock or damage the internal electronic parts.
- Do not operate the air conditioner or heat pump when using a room fumigation type of insecticide. Failure to observe this could result in the chemicals to be deposited in the unit and can endanger the health of those who are hypersensitive to chemicals.
- Do not turn off the power immediately after stopping operation. Always wait for at least five minutes before turning off the power. Otherwise, water leakage could result.
- The appliance is not intended for use by young children or infirm persons without supervision.
- The remote controller should be kept away from children so they cannot play with it.
- Consult with the installation contractor for cleaning.
- Incorrect cleaning of the inside of the air conditioner or heat pump could result in the plastics parts break resulting in water leakage or electric shock.
- Do not touch the air inlet or aluminum fin of the air conditioner or heat pump as they can cut and could result in injury.
- Do not place objects in direct proximity of the outdoor unit. Do not let leaves and other debris accumulate around the unit. Leaves are a hotbed for small animals which can enter the unit. Once inside the unit, animals can result in the unit malfunctioning, and could result in smoke or fire when they make contact with electrical parts.



NOTE

- Never press the button of the remote controller with a hard, pointed object. The remote controller may be damaged.
- Never pull or twist the electric wire of the remote controller. It may result in the unit malfunctioning.
- Do not place appliances that produce open flames in places that are exposed to the air flow of the unit or under the indoor unit. It may result in incomplete combustion or deformation of the unit due to the heat.
- Do not expose the controller to direct sunlight. The LCD display can become discolored and may result in fail to display the data.
- Do not wipe the controller operation panel with benzene, thinner, chemical dust cloth, etc. The result may be that the panel becomes discolored or the coating can peel off. If it is heavily dirty, soak a cloth in water-diluted neu-

tral detergent, squeeze it well and wipe the panel clean. Then wipe it with another dry cloth.

- Dismantling of the unit, disposal of the refrigerant, oil, and additional parts, should be done in accordance with the relevant local, state, and national regulations.
- Operate the air conditioner or heat pump in a sufficiently ventilated area and not surrounded by obstacles. Do not use the air conditioner or heat pump in the following places.
 - a. Places with a mist of mineral oil, such as cutting oil.
 - b. Locations such as coastal areas where there is a lot of salt in the air.
 - c. Locations such as hot springs where there is a lot of sulfur in the air.
 - d. Locations such as factories where the power voltage varies a lot.
 - e. In cars, boats, and other vehicles.
 - f. Locations such as kitchens where oil may splatter or where there is steam in the air.
 - g. Locations where equipment produces electromagnetic waves.
 - h. Places with an acid or alkaline mist.
 - i. Places where fallen leaves can accumulate or where weeds can grow.
- Take snow protection measures. Contact your dealer for the details of snow protection measures, such as the use of a snow protection hood.
- Do not attempt to do electrical work or grounding work unless you are licensed to do so. Consult with your dealer for electrical work and grounding work.
- Pay Attention to Operating Sound. Be sure to use the following places:
 - a. Places that can sufficiently withstand the weight of the air conditioner or heat pump yet can suppress the operating sound and vibration.
 - b. Places where warm air from the air outlet of the outdoor unit or the operating sound of the outdoor unit does not annoy neighbors.
- Make sure that there are no obstacles close to the outdoor unit. Obstacles close to the outdoor unit may drop the performance of the outdoor unit or increase the operating sound of the outdoor unit.
- Consult your dealer if the air conditioner or heat pump in operation generates unusual noise.
- Make sure that the drainpipe is installed properly to drain water. If no water is discharged from the drainpipe while the air conditioner or heat pump is in the cooling mode, the result may be that the drain pipe becomes clogged with dust or dirt and water leakage from the indoor unit may occur. Stop operating the air conditioner or heat pump and contact your dealer.

NAME OF PARTS

Refer to figure 1 on page [1]

1. Air outlet (Field supply)
2. Exhaust duct (Field supply)
3. Drain pipe
4. Connection piping
5. Transmission wiring
6. Remote controller (Field supply)
7. Drain discharge device (built-in)
Discharges indoor moisture removed during cooling operation.
8. Power line
9. Ground wiring
This wire releases electricity from the indoor unit to the ground in order to prevent electric shock or fire.
10. Air filter (inside filter chamber) (Field supply)
11. Suction filter chamber (Field supply)
12. Suction duct (Field supply)
13. Machine nameplate
The nameplate is imprinted with the machine name and specifications.
14. Suction grille (Field supply)

MAINTENANCE

WARNING

- Only a qualified person is allowed to perform maintenance without daily maintenance.
- Before touching any of connection wirings, be sure to turn off all power supply switches.
- Do not use flammable materials (e.g., hairspray or insecticide) near the product.
Do not clean the product with organic solvents such as paint thinner.
The use of organic solvents may crack the product, or cause electric shocks or fire.
- Contact professional personnel about attachment of accessories and be sure to use only accessories specified by the manufacturer.
If a defect results from your own workmanship, it may result in water leaks, electric shock, or fire.

CAUTION

- Before cleaning, be sure to stop unit operation, turn the breaker off or remove the power cord.
Otherwise, an electric shock and injury may result.
- Do not wash the air conditioner with water, as this may result in electric shocks or fire.
- Consult your dealer regarding cleaning the inside of the air conditioner.
Improper cleaning may cause breakage of plastic parts, water leakage, electric shocks and other damages.
- Watch your step at the time of air filter cleaning or inspection.
Working is required in high areas, so extra caution must be exercised.
If the scaffold is unstable, you may fall or topple down, thus causing injury.

HOW TO CLEAN THE AIR FILTER

(The air filter is a field supply.)

Clean the air filter when the message **Time to clean filter** is displayed.

- This message is displayed once the unit has operated for a certain amount of time.
- Always clean the air filter at the beginning of the heating or cooling season.
Dust and dirt in the air filter reduce airflow, lowering the unit's capacity.
- Clean the air filter more frequently when using the unit in an environment with a higher content of pollution.

NOTES

- Do not remove the air filter for other than cleaning purposes. Doing so may cause damage to the unit.
(The unit does not include an air filter as standard equipment.)
- Do not install any object other than a proper air filter in the suction inlet (for example, a paper towel). Doing so may result in degraded performance and cause freezing or water leakage.

1. Reset the filter message when the filter is cleaned or replaced.

The **Time to clean filter** message turns OFF.

Refer to the operation manual provided with the Remote controller for the positions of the **Time to clean filter** message and how to reset the message.

HOW TO CLEAN AIR OUTLET AND OUTSIDE PANELS (Field supply)

1. Clean with soft cloth.
2. When it is difficult to remove stains, use water or neutral detergent.

NOTES

- Do not use gasoline, benzene, thinner, polishing powder, liquid insecticide. It may cause discoloring or warping.
- Do not let the indoor unit get wet. It may cause an electric shock or a fire.
- Do not use hot water of 122°F (50°C) or higher, as doing so may result in discoloration or deformation.